

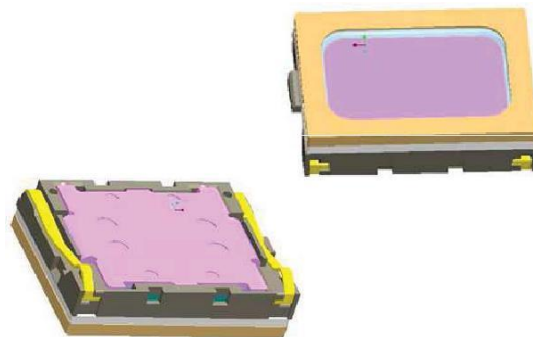


Dynamic loudspeaker

11x15x3.5 mm

6 ohms & IP67

BR1511L035UN6-WP

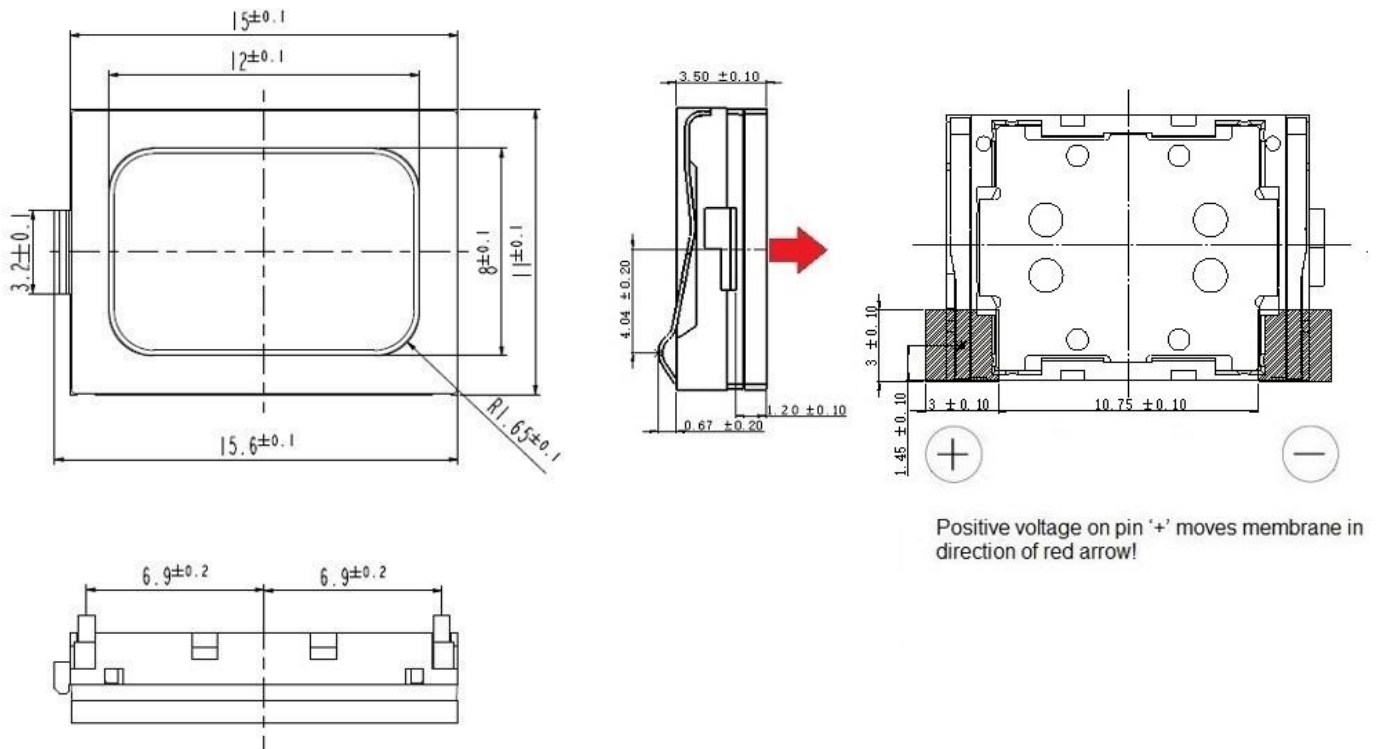


Revision

Date	Version	Status	Changes	Approver
2016/08/16	V0.1	Draft	First release WP conditions	LC
2017/08/01	V0.1	Draft	New logo	LD
2019/4/19	V0.2	Draft	Add temperature and humidity test	AX
2021/09/10	V0.3	Draft	Add polarity information & PCB layout	AX
2022/05/09	V0.4	Draft	Update dustproof level	AX

1. Mechanical Characteristics

1.1. Mechanical Drawing



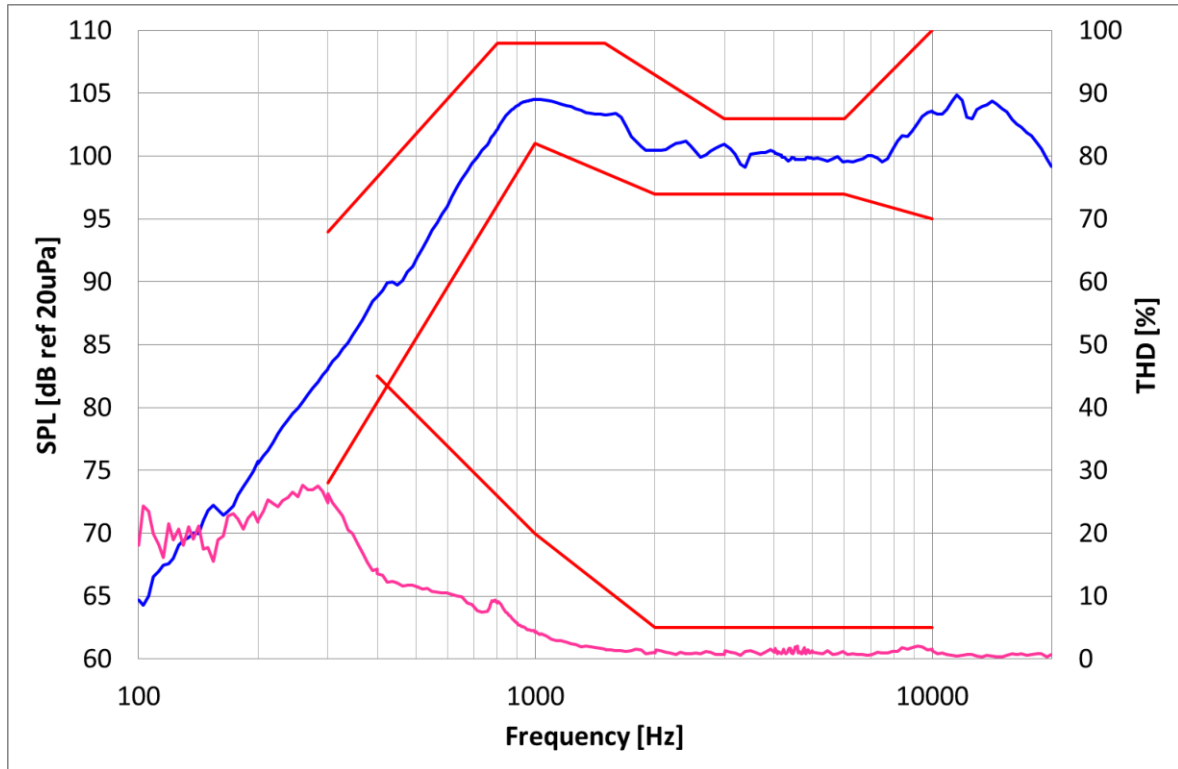
1.2. Material List

- | | | |
|----|-----------|----------------|
| 1) | Membrane | PEEK |
| 2) | Basket | PPA+33%BF |
| 3) | Cover | Transparent PC |
| 4) | Pot | SPCC |
| 5) | Magnet | Nd-Fe-B |
| 6) | Top plate | SPCC |
| 7) | Spring | SUS301H |
| 8) | Dimension | 11X15X3.5mm |
| 9) | Weight | 1.55g |

2. Electro-Acoustic Characteristics

2.1. Frequency Response

Typical frequency response measured on baffle according to chapter 2.4
(distance $d=3.16\text{cm}$, with back cavity 1cm^3 at 2.05Vrms)



f(Hz)	SPL lower limit(dB)	f(Hz)	SPL upper limit(dB)	f(Hz)	THD upper limit(%)
300	74	300	94	400	45
1000	101	800	109	1000	20
2000	97	1500	109	2000	5
6000	97	3000	103	10000	5
10000	95	6000	103		
		10000	110		

2.2. Electro-acoustic Parameters

Receiver mounted in adapter according to 2.6 measured on baffle according to 2.4.

- | | | |
|--|------------------|----------------|
| 1. Rated impedance | Z: | 6Ω |
| 2. Voice coil resistance | R: | 5.4Ω ± 10 % |
| 3. Resonance frequency | F ₀ : | 900Hz ± 15 % |
| (measured at 1ccm 2.05Vrms) | | |
| 4. Nominal characteristic sensitivity (calculated for 1W 1m) | | 72dB (typical) |
| 1cc back cavity at the frequency range: | | 2k~5kHz |
| 5. Measured characteristic sensitivity (at 0.7W in 3.16cm) | | 100 ± 3dB |
| 1cc back cavity at the frequency range: | | 2k~5kHz |
| 6. THD according to chapter 2.1 | | |

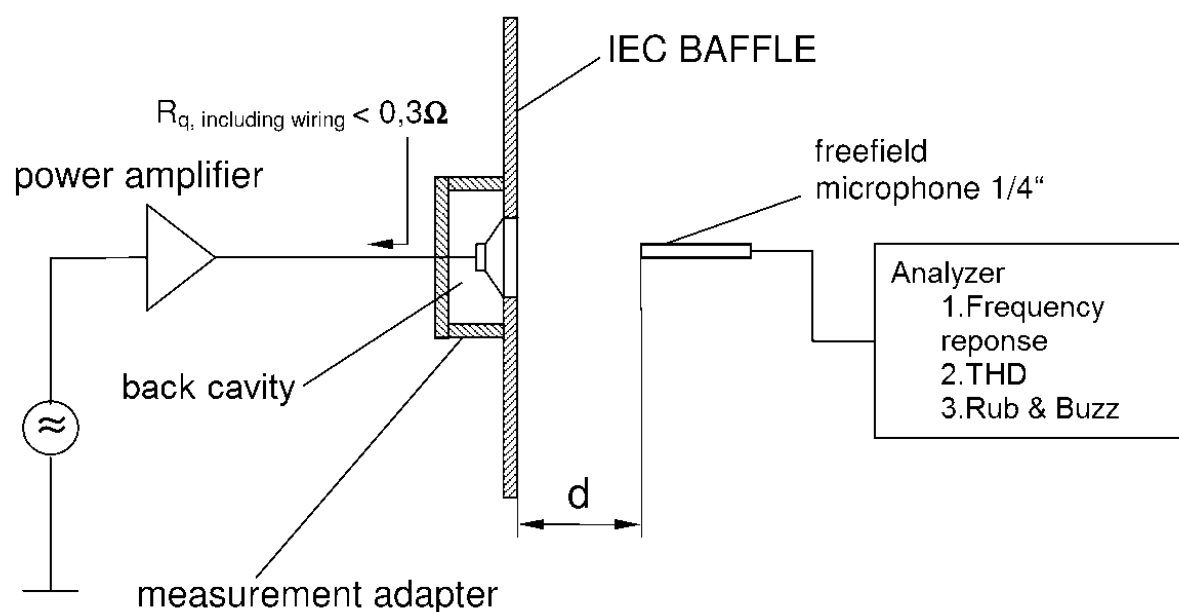
All acoustic measurements at 23±3°C

2.3. Power Handling

Loudspeaker mounted in lifetime test device (1ccm back cavity, open front)

- | | |
|---|------------|
| 1. MAX.SHORT TERM POWER (1sec. ON / 60sec. OFF) | 1.2W (RMS) |
| (pink noise, 2 nd order high pass filtered, -3dB at 1200Hz, crest factor 2) | |
| 2. MAX. CONTINUOUS POWER (168h) | 1.0W (RMS) |
| (white noise, 2 nd order high pass filtered, -3dB at 100Hz, 2 nd order low pass filter, -3dB at 8000Hz, crest factor 2) | |

2.4. Measurement Setup (Acoustics)



2.5. Measured Parameters

2.5.1. Sensitivity

SPL is expressed in dB ref $20\mu\text{Pa}$, computed according to IEC 268-5

Measurement set up according to chapter 2.4

This test is performed for 100% of products in the production line

2.5.2. Frequency Response

Frequency response is measured according to test set up in chapter 2.4 and checked against the tolerance window defined in chapter 2.1. This Test is performed for 100% of products in the production line.

2.5.3. Total Harmonic Distortion (THD)

Total harmonic distortion (THD) is measured according to IEC 268-5 (2nd to 5th harmonics) and test set up in chapter 2.4 and checked against the tolerance window defined in chapter 2.1. This test is performed for 100% of products in the production line.

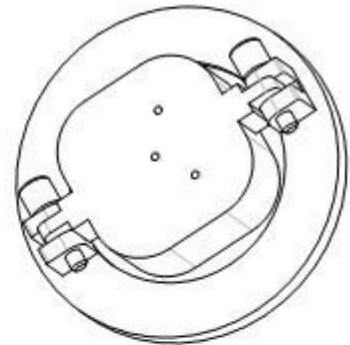
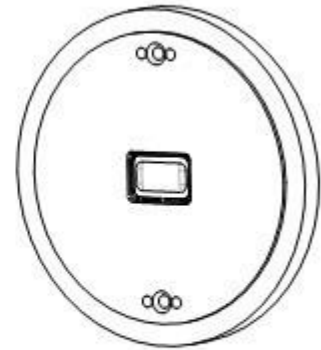
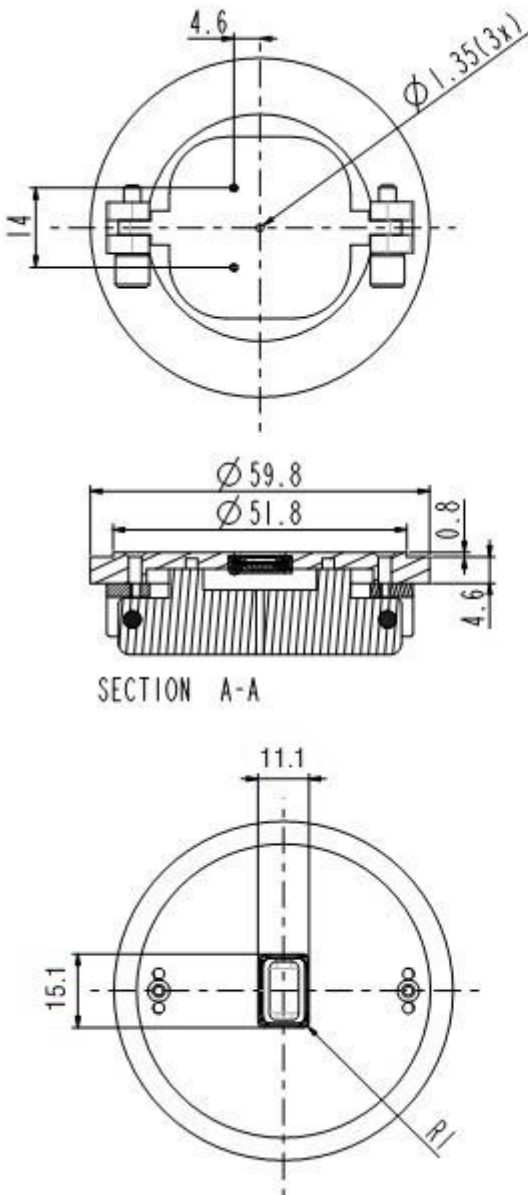
2.5.4. Rub& Buzz

300-5000Hz at 2.05Vrms with 1cc back cavity will not result in any buzzing or extraneous sound

2.5.5. Overshoot

Max membrane amplitude: 0.45mm

2.6. Measurement Adapter



3. Environmental Tests

20pcs fresh samples for each environmental test.

Immediately after reliability test, samples should be stored under climatic conditions such as normally exist in ordinary rooms. Unless otherwise noted, the recovery period should be 2 hours at least before performance test.

All samples after environmental test should meet the requirements specified in chapter 2.1 and 2.2.

3.1. Low Temperature Storage Test

Ref. EN 60068-2-1, $-40 \pm 2^{\circ}\text{C}$, duration 168h, 2 hours recovery time.

3.2. High Temperature Storage Test

Ref. EN 60068-2-2, $+85 \pm 2^{\circ}\text{C}$, duration 168h, 2 hours recovery time.

3.3. Long Term Operation Test

Ref. IEC60068-2-2. 168h. 1cc box Signal according to part 2 in chapter 2.3.

3.4. Short Term Maximum Power Test

60 cycles. 1cc box Signal according to part 1 in Chapter 2.3.

3.5. Cold Operation Test

Ref. EN 60068-2-1, -20°C rel. humidity not con-trolled signal acc. part 2 in chapter 2.3. Duration: 72h.

3.6. Dry Heat Operation Test

Ref. IEC60068-2-2. $+60^{\circ}\text{C}$ rel. humidity not con-trolled signal acc. part 2 in chapter 2.3. Duration: 168h.

3.7. IP67 test

10pcs parts must be immersed in 1m of water for 30min in an appropriate test adapter.

No ingress of water through the products allowed. Measurements after samples are dry. All samples fully operable. The allowable change in sensitivity shall not be greater than 3dB. All other acoustical parameters according specification with tolerances increased by 50%.

4. Related Documents

Refer to general terms.

5. Legal Information

Refer to general terms.

6. Packaging information

6.1. Pallet information

Length: 220 mm width: 220 mm height: 23 mm; 90 pcs per plate

6.2. Packing box information

Length: 450 mm width: 225 mm height: 292 mm; Each case is packed in 34 trays, with a total of 3060pcs.